



7500 Kg



5730x1450x2030 mm



26,5 m



20 m



### Radio Remote Control

- Large display
- Proportional radio remote control with two batteries
- Crane and crawler control



### Hydraulic Grabber Manipulator

300 Kg pipe and beam manipulator



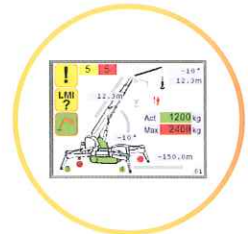
### Three different JIB

- 1.500 Kg Hydraulic flying JIB
- 1.500 Kg Lattice flying JIB
- 3.500 Kg Runner JIB



### Pick & Carry

2 tons 360° rotating pick & carry capacity



### Electronic LMI

- Load and moment indicator
- Diagnostic troubleshooting
- Friendly display with all the information
- Full safety respect EN13000



### Virtual Wall

Anti-collision system with acquisition of the working area



### Hook & Pulley

JIB working with hook or pulley mode

Limitless  
360°  
rotation



### Power Pack

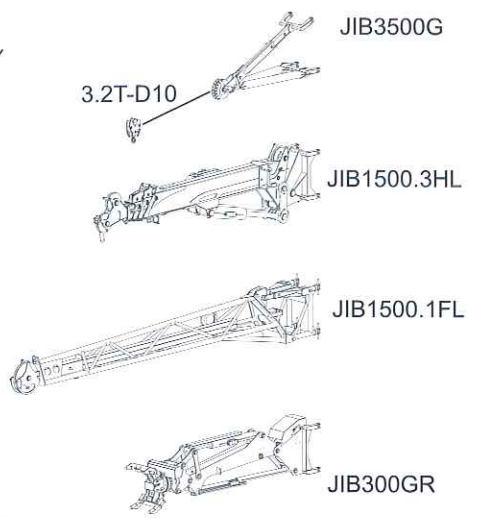
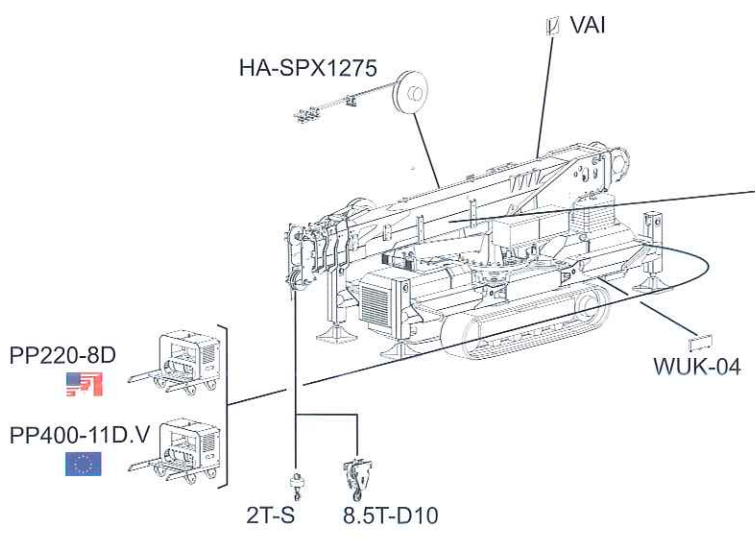
External three-phase power pack



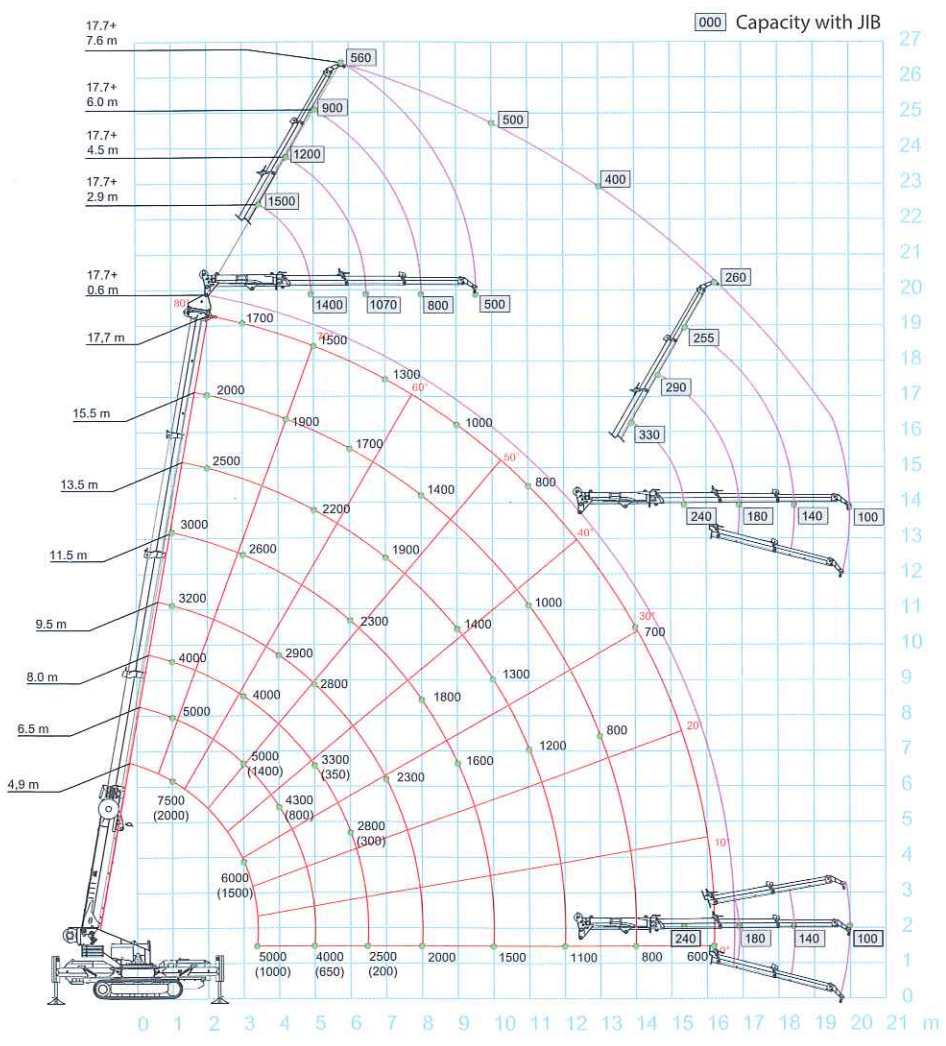
### Extendable Tracks

Independent extendable tracks to increase steering capacity and 360° pick & carry

## Crane Options



## Load Chart



## Technical Info

	EXT TRACKS INCLUDED		
	5730 x 1450 x 2030 mm		
	4600 x 4600 mm		
	kg		
	SPX1275	6800	
	/	1500	
	8T-D10	60	
	PP400-8D PP220-8D PP400-11DV	105	
	JIB3500G	60	
	JIB600.2H*	225	
	JIB1500.3HL	480	
	JIB1500.1FL	265	
	ISUZU 3CE1		
	3	kW	26,9kW 36,0Hp

\*Manual extension available (stinger)



Notes: All specifications and features herein described can be changed without prior advice. All indicated data are indicative only and are not binding as crane performs differently depending on its use.