



1200 Kg



2790x770x1600



10,7 m



9,6 m



Radio Remote Control

- Large display
- Proportional radio remote control with two batteries
- Crane and crawl control



Plug & Play Attachments

LMI Automatic recognizing system for all the attachments

Vacuum Manipulator

600 Kg radio remote controlled vacuum manipulator



Light & Versatile

Low ground pressure

0,44 Kg/cm²

Compact dimensions
2,8 x 0,77 x 1,6 m



Two different JIB

400 Kg Mechanical flying JIB and 800 Kg searcher hook JIB, to work in hook or pulley mode



Power Pack

Mono-phase or three-phase external Power Pack to work indoors

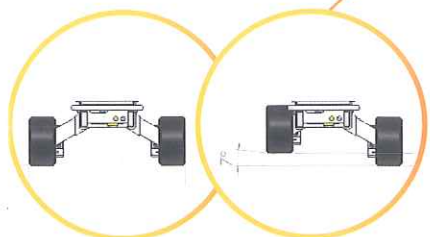


Rotation
280°



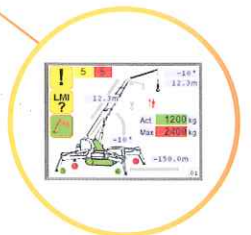
Extendable Tracks 45°

Independent extendable tracks to increase ground clearance and steering capacity

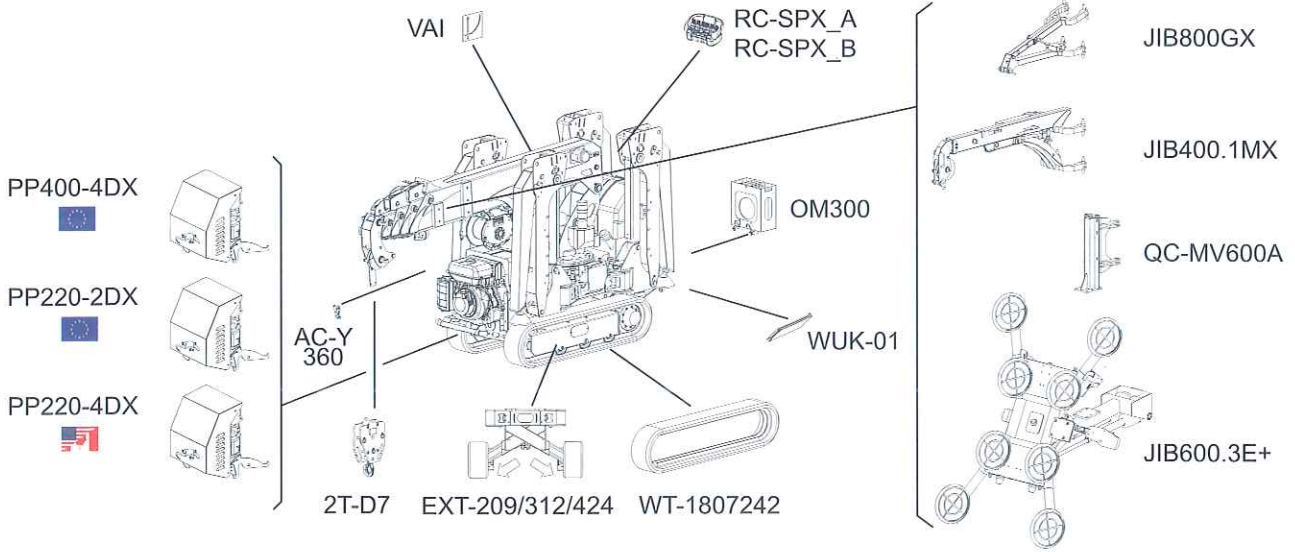


Electronic LMI

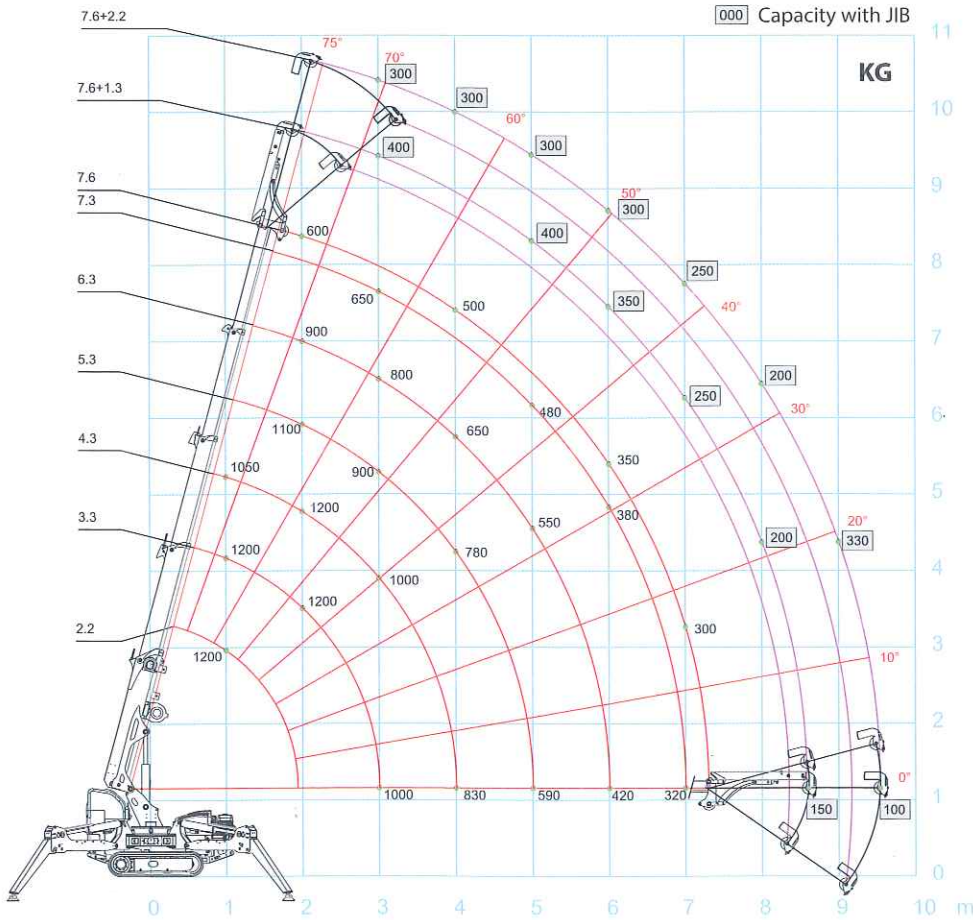
- Load and moment indicator
- Plug & Play
- Diagnostic troubleshooting
- Friendly display with all the information
- Full safety respect EN13000



Crane Options



Load Chart



Technical Info

	2790 x 770 x 1600 mm
	3700 x 3700 mm
	kg
	SPX312CP 1800
	SPX312C+ 1850
	/ 0
	2T-D7 20
	PP400-4DX 45
	PP220-4DX 45
	PP220-2DX 45
	JIB800GX 25
	JIB400.1MX 60
	YAMAHA MZ 360
	7,6kW
	10,4Hp
	n°4 6V 240Ah
	24V-3F
	4,0 kW
	5,5 Hp
*SPX312S (SHORT BOOM)	
	2500 x 770 x 1600 mm
	1,9 - 6,1 m



Notes: All specifications and features herein described can be changed without prior advice. All indicated data are indicative only and are not binding as crane performs differently depending on its use.