



2400 Kg



3150x780x1875



15 m



11,9 m

Vacuum Manipulator

600 Kg radio remote controlled vacuum manipulator



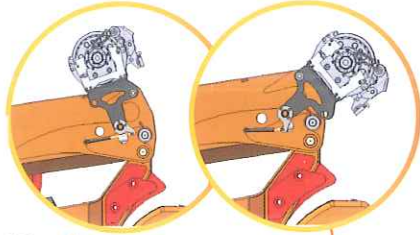
Plug & Play Attachments

LMI Automatic recognizing system for all the attachments



Three different JIB available

- 800 Kg Hydraulic flying JIB
- 800 Kg Mechanical flying JIB
- 800 Kg Searcher hook



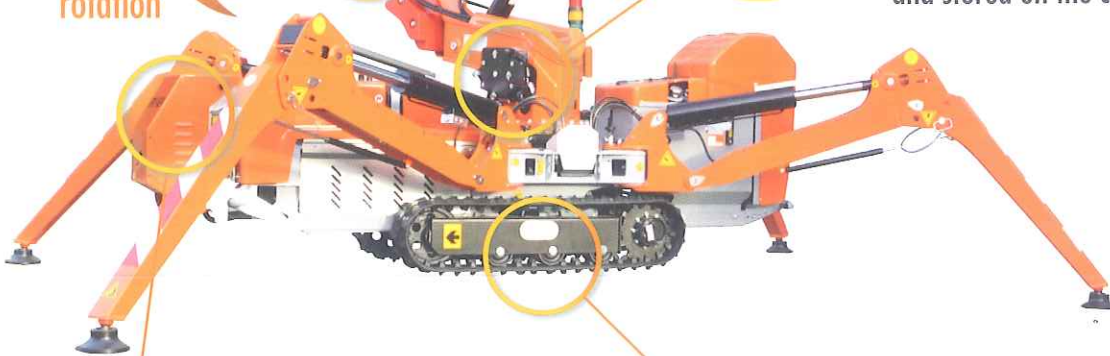
Winch

70° slewing winch in two different positions to reduce the tail radius

Limitless
360°
rotation

Tools

All the tools are carried and stored on the crane



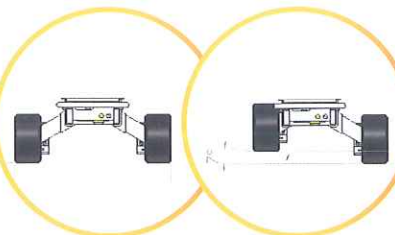
Power Pack

Mono-phase or three-phase external Power Pack for indoors works



Extendable Tracks 45°

Independent extendable tracks for ground clearance increase



Radio Remote Control

- Large display
- Proportional radio remote control with two batteries
- Crane and crawl control

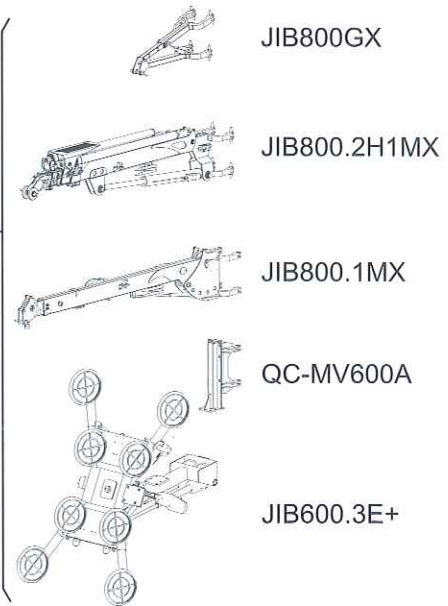
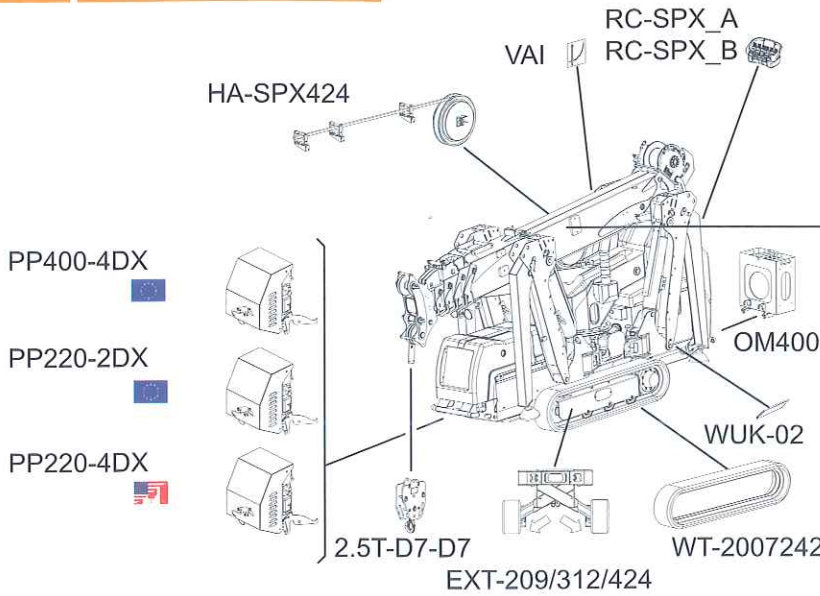


Electronic LMI

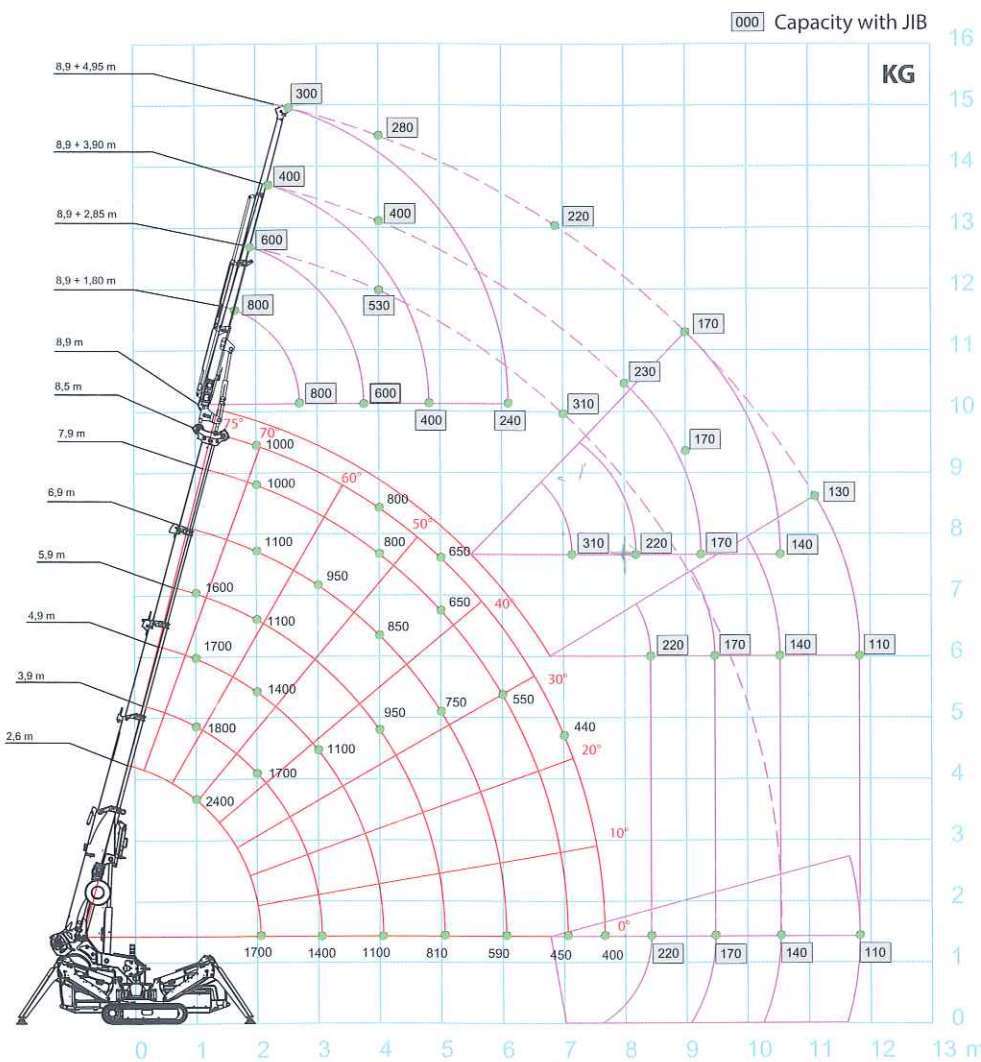
- Load and moment indicator
- Plug & Play
- Diagnostic troubleshooting
- Friendly display with all the information
- Full safety respect EN13000



Crane Options



Load Chart



Technical Info

16		LxWxH	3150 x 780 x 1875 mm
15			3700 x 3700 mm
14			
13		kg	
12		SPX424CDH	2030
11		SPX424C+	2130
10		/	200
9		2.5T-D7	20
8		AUX	PP400-4DX PP220-4DX PP220-2DX
7			
6		JIB800GX	25
5		JIB800.1MX	110
4		JIB800.1H1MX	140
3		JIB800.2H1MX	150
2		MR800.4	295
1		KUBOTA D722-E3B	
0		SPX424CDH	3
		SPX424C+	n°4 6V 240 Ah
			14,9kW 20Hp
			24 V-3F 4,0 kW 5,5 Hp

